



# Proceedings

OF THE  
COLLEGE OF UNIVERSAL WISDOM  
YUCCAVALLEY CALIFORNIA

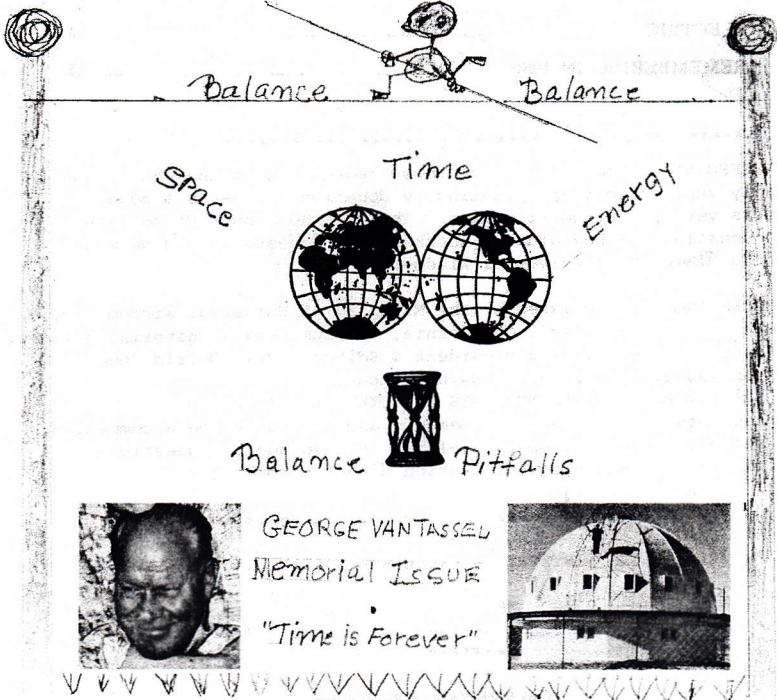
*The Voice of the Integratron*



VOL. 12

JANUARY - FEBRUARY

NO. 2



PROCEEDINGS

VOLUME 26

March - April 1980

NUMBER 3

CONTENTS

RELIGION AND SCIENCE MERGED ..... 4

HEARTS ..... 5

FROM BITS AND PIECES ..... 6

ZOLTON ..... 7

TIME BOMB TICKING ..... 8

PONNAR'S MESSAGE ..... 9

DO YOU WEAR METAL ..... 10

RECOGNITION ..... 11

THOUGHT FOR FOOD ..... 12

QUOTES LIFE ..... 13

ELECTRIC ..... 14

REMEMBERING IN 1980 ..... 15

\*\*\*\*\*

"PROCEEDINGS" - mailed free to those requesting it and who financially support cost and printing by donations. Checks & money orders verify your contribution. There is no subscription rate. All donations, money-orders, checks, and bequests should be made to the Ministry of Universal Wisdom Inc.

"PROCEEDINGS" - published by the Ministry of Universal Wisdom Inc., Drawer "G" Yucca Valley, California, USA Business & Editorial offices: Ministry Office Building President & Editor: Mrs. Dorris (Geo. W) Van Tassel. Secretary: Edwin Wrenchey.

NO SOLICITORS & REPRESENTATIVES EMPLOYED OR AUTHORIZED Manuscripts & photographs by members and friends to be accompanied by self-addressed, stamped envelope. Please address questions, gifts, etc., concerning publication directly to Editor.

(All rights reserved, including translations.)

THE MINISTRY OF UNIVERSAL WISDOM, INC.

phone 714. 364-2784 - evenings - 6 to 9  
 Drawer "G" Yucca Valley, California 92284

\*\*\*\*\*

Our 26th Year of Publication

Now O Man

I am the voice ....

Man, O man, you have made laws to  
avoid using My Laws.

Confusion, chaos and war are the  
results of Man's ideas, opinions  
and assumptions.

Light alone is the essence of Truth;  
Truth alone is the essence of Wisdom;  
Wisdom is the essence of Knowledge;  
Knowledge is the essence of Life;  
Only through Knowledge can man express  
Wisdom in Action.

I have given man Life that he might  
demonstrate My Knowledge through  
Wisdom in Action.

I extend the concentration of My Light  
to those who are demonstrating  
My Laws.

I speak through you ....  
do not distort My Words!



Food for Thought

RELIGION AND SCIENCE MERGED

Thinking of the earth as a motor is not difficult when reading this book. The positive and negative lines of primary light energy cause all motion. Humans, atoms, suns, planets and galaxies are all powered by the same sort of forces.

The earth is an oversized electron of a predominately negative polarity. Its rotation and orbit are the result of attraction and repulsion to the lines of primary light energy.

Magnetism in and around the earth is a result of the earth's interrupted primary light lines. Electricity is the result of the earth's magnetism by a generator.

\*\*\*\*\*

"For as many as are led by the Spirit of God, they are the sons of God."....Romans, 8:14

There are many who would rather program a busy life than to keep a rocking chair busy in a warm room. Either action is easy to read.

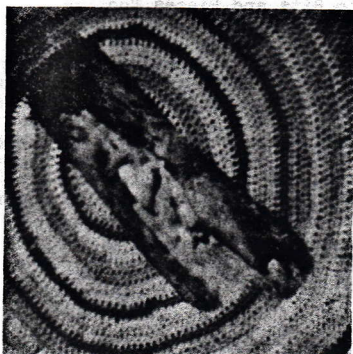
The law of reaction will cancel every destructive cause. Apply sun principles on planets and the re-action will make the planet a sun.

The planet alignment may have more influence now than many folks do realize....but the power of the lineup is going to be a whopper that comes sooner than expected and we can be grateful for greater more loving beings than we are, have our concern foremost. Hang on to your freckles, never mind the extra eyelashes for a while ! The Creative One looks past all that anyway !

GEORGE W. VAN TASSEL - FRIEND

Destiny was to direct this man in search of different dimensions. A man of Special Crisma capable of explaining phenomenon, who, with his Great depth of Perception, would lead us into a field of knowledge and intrigue,..... The Linn Twins, Landers Calif.

Other Wish Hello -  
with feeling of Steve & a  
Guidance - All  
D.



## HEARTS

This picture shows a piece of petrified wood that was used as a doorstep or just as a conversational piece for years. A large hunk of stone Van and I both enjoyed for its uniqueness.

Tuesday A. M. Feb. 12th. I noted some light spots along one sharp ridge...they stood out as bright creamy gold in the dark woodtone. All day I kept wondering about why they appeared. Now when rough handling over the years had never blemished it. Wednesday A.M. on Feb. 13th the greater part of the sharp edge was rounded. I could not find any parts of petrified wood or chips near by. By Thursday after noontime on Feb. 14th a large well sculpted heart appeared as you see it in the photograph. There was a small amount of a golden creme powder in the hollow of the arches. Another smaller piece of petrified wood showed some changes too. The photo of this also had a heart form centered in the stone. I do not have adequate explanations for the many who come by to see this unusual formation. Some see two hearts side by side.

I wanted to share this beautiful experience with friends. However you translate this happening is your choice. There are those who were present to verify the changes. The clarity of the heart is recorded by the camera.

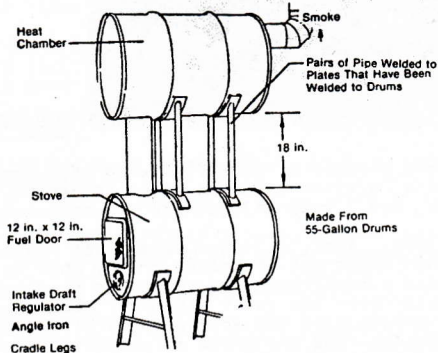
Van's bell-chime signal had come to me very early Valentine Day and I was aware of many reminders of him in the home. When this was being written for the Proceedings by a friend, just as we came to the paragraph on the sculpted heart, the signal sounded forth again... so loud that we both did a "did you hear that " look. So I showed picture of the heart and the shape of the heart in the stone to the typist without any pause! There were tears in both our eyes as the message came across with the sharing. I continue to believe that Van observes the Earthly ways of his friends and what he expresses does help me to understand some situations more easily.

Van was always prone to use his own cash and energy for the Dome. We spent unlimited hours in testing and in analysis never discussed even with family. For when we merged our energies and our efforts after Evas ongoing, it was with a joy in knowing the path was within and under direction of Beings we both knew before.

## From Bits and Pieces Too

Many of you might like to live in luxury and comfort, but that is not far from an end, unless we learn to use the things around. Then we can have our freedom from the greed of large and small companies.

Here is one of many ways to gain that freedom in the cold of the year by burning piles of scrap and junk. For few dollars, you can build this heating unit out of old 55 gallon drums or similar shapes. Use two heating chambers, however, for better efficiency. Credited info. ORGANIC GARDENING AND FARMING of Organic Park, Emmaus, Pa. 18049



DO... PLEASE NOTICE FOR NOW... LIMITED

A few extra copies of the earlier Proceedings are available to sincere folk who express a desire plus contribution to support of the Ministry of Universal Wisdom, Inc. Vol. 8, 1968 of # 6, 7, 9, 10.

How many of you know that Van was musically aware also? He coordinated with others in 1977 to bring a record with the background of Arthur Mancini orchestration. This effort was copyrighted. The two songs are in a beginning plan for letting the public hear them. Write if you are interested. Do you care to assist? How?

\*\*\*\*\*

In the book "Religion and Science Merged" Van wrote that education and learning are recorded in the brain and can only be used in this mortal grade of life. When the Brain is buried with the body all the learning and intellectual education ends, unless it has been applied through experience.

A most delightfully informative hexagram was received by "light-induction" in mid 50's by George Van Tassel. It was Shiptonian.

Man of iron shall fall when lead is dear.

The lion shall roar - a bird shall turn an ear then fly away.

The land of the glowing sun shall slip and John is on his way.

And ships shall land, not by the ten but by the ten grand.

And mud will cover where there was an angel lost in dust.

Six more shall rise and fall before the ball stops rolling.

## ZOLTON.. On Coming Changes

I, Zolton, greet you in love and peace. I extend to you the greetings from the Vela Sector Center. We have decided here to give you a brief outline of the conditions that will soon effect your solar system. Picture your solar system with the sun in the center and the planets orbiting in the form of an inverted coolie hat traveling edgewise through space at a speed of 12 and 2 one hundredths miles per second. You are traveling in a tremendous arc. You are orbiting around your sun and revolving up on your axis.

In passing into the complete phasing of the 4th density, you will change your course as a solar system. This change is abrupt at the nodes line phase. It will be as if your solar system glanced off from a flat surface. Everything will move out of its orbit momentarily. Your system will be erratic for approximately 9 months.

The seven occupied planets are all going through balancing conditions. Your planet is in the worst state of any of them for several reasons. Your planet is further unbalanced than the others and you are less capable of taking care of the people upon the surface through this condition. Each of the other planets having space craft and functioning according to the rules of living shall be capable of caring for their people.

The cataclysmic upheavle will last for approximately 3 days. During this period continents will emerge from the ocean, islands will disappear, tidal waves will sweep the surface up to your present elevation of approximately 600 feet. above sea level.

There have been many prophdcies so -called given to your people to move to higher ground. This is stupidity. The craft and people from various system under command from the Station Scharee are prepared with sufficient carriers, convoys and landing craft to remove your entire population in a 15 minute period. The condition is approaching rapidly. We cannot place a date but rest assured we are in complete command of the situation, and the multitudes of people helpless upon your surface who have qualified by intent and living shall be gathered very swiftly. There will be some sorrow in loss of friends. This can not be avoided. We do not make the laws. We conform to them.

After your planet has reached a stability, there will be land than ocean. And our ships will return your people to the surface and assist to bring about a new, clean, healthy, peaceful civilization with power for use, not for profit.

This condition will become more increasingly apparant by your recording of more and more violent hurricanes, volcanoes, tornados, earthquakes, tidalwaves, planets and conditions of disaster. Those who board our ships will be those who have qualified to board them by their own doing. We make no decisions as to who shall enter. This information and warning is given in sufficient time for many to qualify who have not. This is not a condition that can be prevented. The Creative Spirit so made His Universe that all things brought into unbalance will resume balance. And the cycle of repetition shall bring about changes in polarity and in gender and in life.

FROM THE VELA SECTOR CENTER... I am Zolton.

### The Time Bomb is Ticking

The man who would read and cannot presents a bad image to our mind's eye in this age of enlightenment with its sophisticated technology. True? Not really, for his attitude includes a desire to read. He will acquire literacy, probably with help. His inadequacy is temporary. The prognosis is favorable. The picture is hopeful, not sad.

Truly sad is the case of the man who can read and will not. Here there is no desire - no hope - negative prognosis. Multiply this man's case by many thousands and the result is a declining civilization.

Against the cheerful admonition that the reading of good books contributes more to social progress than other media, compare the contribution of newspapers, radio, movies, or television. It is true that media other than books have great value and can contribute each in their own inimitable way. The trouble lies in audience choice - how to apportion one's attentions. As water tends to seek its own level or electrical charge finds its path, most Americans tend to assign the greater portions of their time to that form of communication which requires the least effort - hence the statistical national average of an astounding six hours per day in front of the boob tube.

If we still care about heritage, consider this; Leaders of today's society are products of the 40's and 50's. They were grounded in good reading habits by their predecessors. When these leaders begin to move out of their positions, the consequences of our failure to properly train young people to inform themselves will become painfully apparent. This situation is especially sobering when we view it in relation to what we already know of the declining reading abilities among students in all levels of the educational process.

This is the time bomb we are setting on. Do we care? What is our purpose, if not to continue an advance toward higher consciousness, partly through the imprint we leave for others to follow? What promise do we leave to our children? What love have we shown? This is why I chose to operate a book store. What can you do? What about them?

J. Arthur Robinson, Sr. Bookseller - Yucca Valley, Ca.

## Ponnar's Message

Why, why brothers, do you refuse the hand? Why do you stand on ego making decisions that end in naught? Why do you stand upright like man in holy ceremony and vow "Whom God hath joined together, let no man put asunder" ... and then many men in courts separate by manmade law? Why do you say " I believe in the Holy Book" ?... and so you kill.

Why, brothers, have you let yourselves into this dearth? Why do you condemn - are you all judges? Have you assumed to supersede the Almighty? ... Why? The answer is known to you. It is not what you have done, it is what you have not done. Each is striving to find a way to live without producing anything. Everyone wants something for nothing ....

Let the government do it! Can you condemn the government for the way they do it? You have made your own hell by doing nothing. You do not approve of the H - Bomb. You complain to each other, but not to the Earth, through your inactivity, through your inflated egos, through your efforts to judge others and not yourselves, you have made your own conditions by allowing others to change it for you.

People of Earth, your brothers stand by! Through space they come waiting to assist you, but not until you show the way. Not until you stretch forth the hand to help yourself. People of Earth, the time is near. Fear will not bring about correction - only action on your part, to plug the dam that oppresses you, we stand and wait, your friends. It's not too late! ....

In review of many older Proceedings covering from year 1950's to 1979. I find the concept of the Integratin remains the same. But the costs and the concept of the funds required for the completion of this giant machine has increased. Where is the problem? Without stretching the memory too much lets consider the change in cost of gasoline. Think how it was in the 50's and what do you pay twenty years later. How do you condem . . . is it the gas station or does it fall on other shoulders you do not see. Think again of the cost of 2 x 4's and plywood sheets prepared for outdoor use. Remember within a ten year period that it has increased from less than five dollars a sheet to closer to sixteen . Then recall the fact that volunteer workers were plentiful back there when the Integratron was started and now everyone but the few who live close by have to get dollars so they can pay for the gas ...so they can get to the job.

## And Do You Wear Metal?

Was your name called as a testing or because you asked for something to do. Think, would being scared put a stop to your wondering or the need you feel this moment? Did you reply when your name was called or show in any way that theres a real caring for a potential friend. Even when you can not see, you are seen. How close are you to a touch? Can you feel like a friend and be one... or are they two separates after all the training we go through in this mock and false faced world.

In all the years of communications I've never seen nor heard anything but considerateness, wisdom and lovingness expressed in the thoughts and the deeds of Space Beings. The sensitave feelings and exceptional abilities in many areas of those living in other worlds beyond our galaxy are little understood.

Man exhibits and lives with and encourages the things I consider devilish and cruel a part of his life. I have never seen or heard the like from the "Boys Upstairs"

Perhaps I do not attract or it may be more right to say "allow un-godly action". Yes, I have exnerieneced and learned through many an unpleasant form that had a different pattern of living than mine... often masquerading to get past the "front door". The too-trusting a person is not without responsibility but seldom realizes it. I thought before ,and continue to believe now, that the charges we hold or carry as ourselves, magnitate... thus some patterns with a destructive or with an ugly concept do assume the directions or controls in our physical environment.

Space Beings we know warn that they will not come through ectoplasm. They live in frequencies far beyond the usual earth understanding...and do not condem the persons who use this element. Ectoplasm they explain is earthbound or comes from the mind of the transmedium. The fact of ability to be checked when some forms of preparatory learning are desired. The medium able to handle the ectoplasm undoubtedly is more gifted in handling of higher frequencies on this plane.

God does not express good or evil. He gave to man the power to choose and direct His force. If you manifest destruction, greed, or evil actions and intent then your God is evil. If you manifest Love, passion or creative actions, then your God is good. The creators actions are creative. Your manifested thoughts, words and actions are what determines whether you are using a life - force for God or against God. You can not fool God with a false face or planned acts! Move forward in progression or go backward by your own choice. A fool nods his head as easily as any other....

## Recognition

To date there have been more compliments than critical evaluations about the newer format of the Proceedings. Our overseas members do recognize a problem in cost of mailing first class, but we may not have the cash to do otherwise at this time. One remark about our map was helpful and mostly error on our part for not taking time to proof. Another said that Van's material was superior, which we do know. I only helped him before...now I have most of the facts to get into place, with several dozen other items to be doing at the same moment. This March issue gives some of earlier material he wrote.

Again this week we received communication from folks who claimed they have membership in a church they did not ask for (San Diego Address), did not want, and do not care to support in any way... These people say they now know why the Ministry of Universal Wisdom, Inc. ask for a written application before the membership. We do care about the way you are associated with us and also the manner in which you assist. As physical, mental or financial support. Because mail is irregular we prefer a direct verification. Cash is not very satisfactory. It is often lost. Let your action be recorded. Our dedication is the same as in the past...those who do not have money to send do get recognized and associated with us through activities the Board approves. Postage is an important support and we find printing costs are heavy for issues.

The reprints and the preparation of the 3 volumes of the 25 years of Proceedings are a true memorial to George Van Tassel. A few have offered to send monthly amounts to help pay this huge printing expense. Advance orders are a must as the copies are limited. NOW adays the cost of publishing is out of sight almost...

Spring gardening is underway. Vegetable gardens and orchards will be in special beauty soon. The desert blooms are expected to be a unique color pattern after the long "wet spell". Plants not visible in a 20 yr. period anticipated. Proof of seed vitality. We appreciate the soil preparation and the love shown by a crew of happy workers. They assisted in many ways because they are part of a Godly Progression.

## REPORTS ...PLUS.

Those who visit us comment favorably most of the time. More and more seem to come out of an early period as though projected into this NOW with little planning. They seem to have an inward push to come and to see for themselves again. They have not been on a mailing list in some cases for many years, yet are staunch supporters of our good. It is such joy to remeet old friends and feel their understanding. Seems a few of them read a paper and it stirred them to proving honest and sincere interests in person...

Again most of the Board Members agree that both the time and circumstance demonstrate the value of CONSTRUCTIVE ACTION over words alone. We are reminded frequently how few can understand the remarkable Dome that is the Integratron. True teaching is ever ongoing with our program. Some authorities of considerable alphabet accumulation, do not show or put fact and truth together...but they do like to suppress. Yet, as Van showed to me..."Truth will out in spite of the high claim of money, church and authority rolled together".

Super Faith and Knowing is required to sustain Godly Action this year. Truth is in for more testing. Aggression is not the full answer. Wisdom with lovingness can be a greater power and is our back strength.

## Thought For Food

Mortals are not ready to advance to higher grades of life until they can say, "Father I am free. I am not bound by tradition, dogma, ritual or obligations. I am free to go unrestricted to carry on Thy work"

You can not fool God with human ideas. You either evolve in the way of HIS perpetual progression, or you go backward to your choice. You still have the right to choose whether rebuked by a man of wisdom or a fool when you feel the need for agreement. Wisdom is not confined to the size, age or to place of living. Study babies and children, let them express themselves. The deity called God is the trinity of time, space and being. God provides, and it is man who divides. I keep wondering what the excuse will be when the speed of light is really recognized as in NOW and therefore CONSTANT and not a wave that moves at all!

It must have been at least twenty years ago when a scientist told me text books could not be changed to represent what they knew, because it was too expensive a program to retrain the reprint. The finding of an old article by Tesla stated "I positively expect that within the next decade new sources of energy will be opened up which will put at the disposal of mankind everywhere power in unlimited amounts...I have made a discovery which I expect to announce soon; it is not a form of atomic energy, but Universal Truth that cannot ever be patented".

It is odd when you hear someone who professes BELIEF in an after-life refer to someone dying with this remark; "Well that's the end of him".

The accumulation of ice at the South Pole is the attraction of an excess of negative polarity moisture in the atmosphere, attracted to the positive polarity, southern magnetic polar area. Indirectly nuclear and other tests cause an unbalance of the Earth, radiation diseases, and a property and life loss.

Those of wisdom know earthquakes will not get you...it is that silent and unseen curse of fallout and the forerunner of many a tidal wave that become the FINAL wave on Earth. We should look to the kind of authority we allow. A title may not make a denial of a harmful effect legitimate! There is still the slow curse to face after the titled one goes to another job.

An earlier analysis of wildlife in Northern California and other states shows animal bones are loaded with Strontium 90. This evaluation has not improved. Recall that areas of the country that get much rain and snow are where the most fallout was recorded. If the bones of animals have an accumulation of radioactive debris, so must the human !:

\*\*\*\*\*

Mouth to ear communication is becoming necessary because no secret communication by phone, radio, or wire, is possible without the real possibility of tapping or code breaking. Thus you will continue to see national leaders having many personal conferences so the public will be unaware of the discussion..

QUOTABLE QUOTES

" A pitcher may go too often to the well " Nikola Tesla

---

" The Cosmic Rays origin from beyond the Milky Way and from remoter heavens is ten million times as strong as ordinary light." Robert Millikan

---

" There are mongrels in all colors, creeds, and races " George Van Tassel

---

" When science truly turns toward spiritual discoveries, it will make more progress in 50 years than in all its past history." Charles Steinmetz

---

" It takes a lot of positive thinking to put even negative actions together for evaluation," Andre

---

" Of course I'm a crackpot...as one reader wrote me. You have to crack this earthen vessel to let in the light." From book by George Van Tassel

---

" Illness is not necessarily bad... it is an expression of some imbalance in ones life however. Body, mind and spirit can not be seen as separate to achieve this balancing." New Medicine Practitioners

---

" Changes in life style, can make for fantastic improvements in the Nation's Health. If all abuse of tobacco, alcohol, and automobiles could be magically erased with the snap of a finger, at least half of all hospital beds in this country would suddenly be empty " Dr. Phillip R Lee

---

" When Mammon rules, money becomes a madness " .....Anon

---

" Man within man is all representative of the universe; within a cell of man is all representation of the entire universe. Within an atom is a representation..... Edgar Cayce

---

" The Earth also is defiled under the inhabitants thereof; because they have transgressed the laws, changed the ordinance, broken the everlasting covenant." Isaiah 24:5

---

" If the world is ever saved from its double-dealing politics, its rat hole economy, and its destructive philosophy, it will be by men who use the brain as a transducer instead of an ego. The brain is able to transcend mundane levels of human thinking & thought reception." One

---

We have signs along a road to give direction. The signs of the times are a similar purpose in direction for events ahead. Everyone has the potential ability to read signs of either type. If yours is dormant; there is yet time to awaken it, but not much.

## This Electric Life

Some of us think and believe that Electricity is Life and that Life is electricity. The law of Polarity is a very fundamental law of Creativeness.

We know little exists without condensation of energy. Light is one visible manifestation of such an energy and our eyes catch this and report it to other cells for holding. Instruments made by man record still other forms of energy as color and light. We accept that nothing lives without a visible energy expression. Yet by more advanced teachings, readings, and knowing sources we are learning that many life forms continue to exist quite adequately without our conceptual demands for heat or light.

On this planet virtually all kingdoms from the mineral upward get nourishment & is sustained by solar or cosmic radiations. Light may be said to densify into a variety of patterns and forms we classify as foods. These light patterns are a mere fraction of the allprevading energy freely available. Part of the seldom used gifts created at the same time we came into existance! This power of creativity continues as long as we allow the static form to develop into a needed picture which in turn is manifested in visible, useful substance.

The instrument that shows the specific color analysis of both growing and apparantly non growing things is the spectroscope. It evaluates the special colors that are the object. More than nutritional values are thus recordable for study.

It was found that living vegetation having stems, branches, green leaves and foliage rising above the surface of the earth has a measurable amount of spiritual essence. The leaves and stems receive from the sun and moisture in the air. This essence flows into the leaves and the stems of the growing things, and has a vital electric charge, a vitality necessary to man physically and spiritually. Plants BECOME transmitter to man. It is possible that air and water become the only forms of this essential transmission, but this way its difficult for most animal forms to accept or to relay to their cell pattereded life.

An electromagnetic juice of living things changes when the temperature is greatly shifted. The juices change their nature somewhat depending upon the temperature shift and changes their regeneration powers also. In plant life we call the juice of life, as chlorophyll. In animals it is called blood but in mineral form it is expressed as energy. Few care to recognize the creative flow it represents in the pattern of life. Air allows distribution as does water. The polluted types have less allowance for life energy or the vital transmissions. Certain rays of our sun must be absorbed by plant life and go into plant form to be available for later, plants relay.

Psychic centers and glands are like the electric fixture where light and electric motors are connected. No matter how good the motor or the actual element may be when something interferes with the flow of energy in the wire lights will not manifest until that interference is gone. When man does not receive energy complotly his spiritual and vital lights do not shine. This lack permits many forms of unbalance and unease in the developing cell blueprints.

## For A Remembering in 1980

Much has been said about Space People of today materializing de-materializing on several occasions. I can truthfully say that I have seen and talked with one of them that instantly disappeared to my vision; but I could still feel him when I touched where I had just seen him.

You can not see the air, yet you breath it. You can see water in its fluid density and its vaporous densit, but when the steam is absorbed in the air, you cannot see it.

Your individual record is being made daily by the way you live. Everything you think, say, or do is recorded in your aura. In the life following this one, you will only be able to progress to the highest level in which your light record will vibrate. No one is going to judge you but yourself, and you will be faced with the results of the record you established here.....material from "Religion and Science Merged"

Astronauts orbiting around the Earth inside of a capsul at 18,000 miles per hour are small replica of life on the outside of our own planet orbiting around the Sun at 66,000 miles per hour. We go faster and are held onto the ball of rock by a GOD FORCE we call gravity.

## More Reminders of 1980

Most animals, insects, birds and obviously this should include fish also, emit radiations. Even as this is happening there is a sensitivity to the influences of external electro-magnetic energy. These forms cover an unclearly defined range, known to be far out side of our visiblę or luminous octave. Visible light is but a tiny portion of the whole of this pattern of influence. The effect and affects of which are recordable.

Let us not forget the four dimersions of electricity that W. B. Smith of Canada and George Van Tassel discussed together and separately:

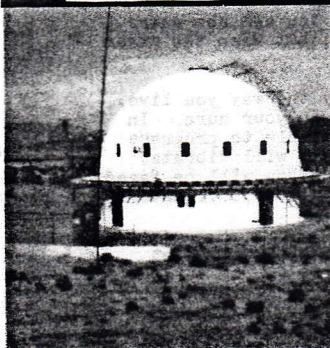
1. Movement of electricity as in a copper wire, uni-directional.
2. Magnetic field around the wire.
3. Static effect or charge created by the first two effects.
4. Tempic or time field: Equates with Space and ever-present Conciousness.

I have not the hours to enjoy relaxations by art crafts just now. Nor as socializing as before. I trust that the general public will be able to understand when answers or communications are delayed or a response is short. Because visitors are involved with a question and answer session, overlook the fact that we need rest and food too. The enjoyment of a garden and the great spaces is not less a need because we live where it is more abundant. Please let us know when you are expected to arrive. Certain periods are difficult to arrange. Our project often directs us rather than the unplanned visitor, at this phase of our functioning.

We do appreciate interested folks but preplans could be helpful to all of us the night before you plan to be here, since numberless research matters direct our focus unexpectedly these days.

# Proceedings

of the **MINISTRY** of  
**UNIVERSAL WISDOM**



Drawer "G"  
Yucca Valley, California  
U.S.A. 92284

BULK RATE  
U.S. POSTAGE  
LUCERNE VALLEY  
CA 92356  
Permit No. 17

Howard Dissly  
11743 Villa Dorado  
Creve Coeur, MO 63141

